

# Replacement of the outdoor unit and Using of pairing-code-function

## To do :

1. Disconnect the electricity from the door and the relay unit.
2. Switch the fingerprint-reader-unit.
3. Reconnect the electricity from the door and the relay unit.  
→ *the red LED of the fingerprint-reader-unit flashes*

4. Do pairing by your IR remote control:  
**OK <pairing code> OK**

**OK \_\_\_\_\_ OK**  
→ *The flashing of the red LED is ending after a few seconds*  
→ *All LEDs should glowing*

### Easier variant of 4.

Press the „Pairing“-button on the relay unit for 3 ~ 8 seconds.

5. Insert on IR remote control: auto-test  
**0 OK**

→ *the motorlock should start to work*

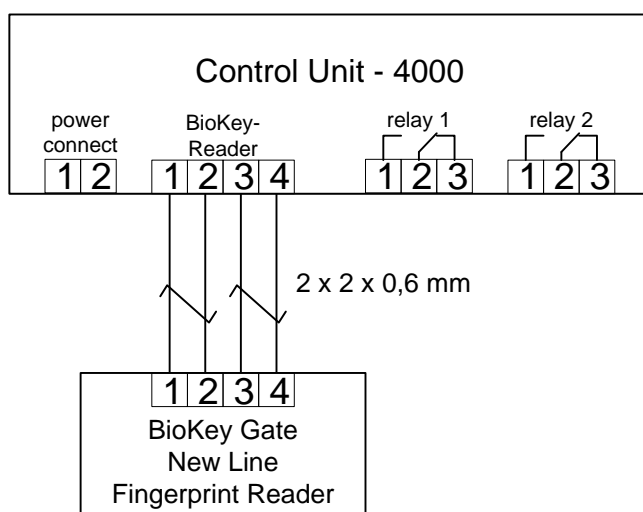
**Attention:** If the red LED of the *fingerprint-reader-unit flashes again:*

Please start from point 4 again.

6. Reprogram the device according to the latest manual

## Cabling:

### Relay variant 1: wall mounting



### Relay variant 2: DIN rail

